

TACT switch



TSTF type

TSTF03 Series



(size : 6.2×6.2×h) Waterproof Type

T
S
T

■ Features

Some of output terminals can be also used as jumper leads, thus making circuit design easy.

■ Applications

Operating switches in all types of electronic equipment, such as audio devices, office equipment, communication devices, measuring instruments, TVs, video recorder, etc.

■ Main Specifications

Rating	50mA 12V DC	
Travel	0.25±0.1mm	
Contact Resistance	100mΩ Max	
Operating temperature	-20°C~70°C (45%~85% RH)	
Bounce	5m sec Max	
Operating Force	160±40gf	250±60gf
Operating Life(Cycle)	100,000	50,000

■ Products Line

TSTF03 -
(Products No.) (O/F)

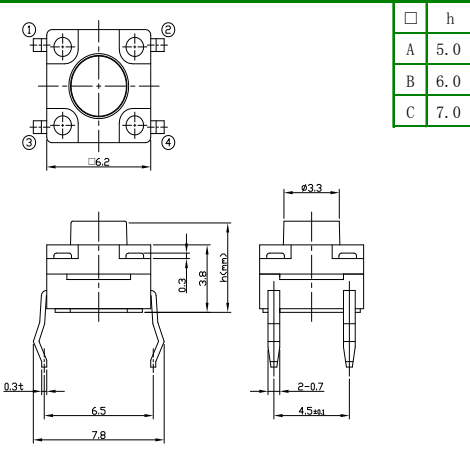
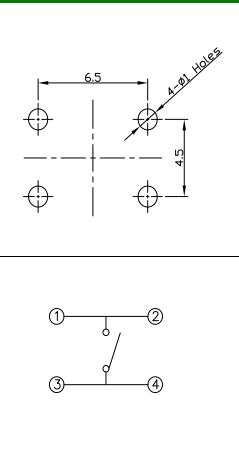
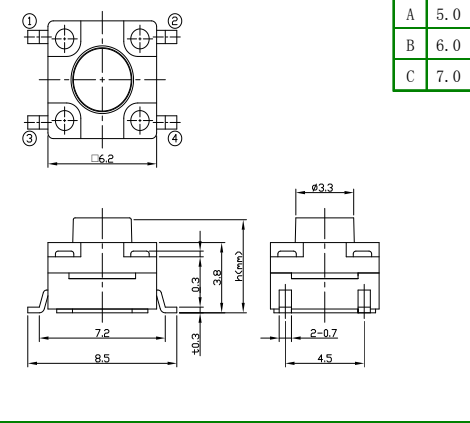
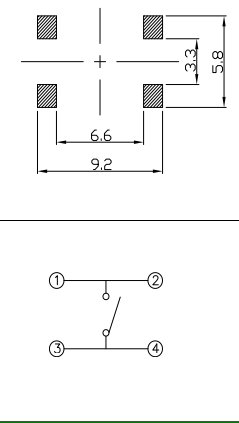
Products No.	O/F	O/D	Terminal Type	Guide Boss	Drawing No
AA00 <input type="checkbox"/>	<input type="checkbox"/> <input type="checkbox"/>	Vertical	StAndard	With-out	1
CL00 <input type="checkbox"/>	<input type="checkbox"/> <input type="checkbox"/>		L-bent	With-out	2

Height <input type="checkbox"/>	
5.0mm	A
6.0mm	B
7.0mm	C

Operating Force <input type="checkbox"/> <input type="checkbox"/>	
160±40gf	16
250±60gf	25

■ Dimensions

TSTF03-□□□□ □□

No.	3D Style	Dimension Type (Unit : mm)	PCB pattern dimension Circuit Diagram
1	AA00□□□		
2	CL00□□□		

T
S
T