

TACT switch



TSTB type

TSTB16 Series



(size : 4.5×4.5×0.55)

Vertical push Surface mount type

■ Features

Surface mount type tact switch.
 Reflow solderable.
 Vertical operating direction.
 Dust&Moisture protective structure.

■ Applications

Various controls for devices in automotive.
 Controls for image/sound devices, radio equipment.
 Operating signal input switches, etc.

■ Main Specifications

Rating	50mA 12V DC
Travel	0.2±0.1mm
Contact Resistance	100mΩ Max
Operating temperature	-20°C~70°C (45%~85% RH)
Bounce	10m sec Max
Operating Force	160±40gf 250±60gf
Operating Life(Cycle)	100,000 50,000

■ Products Line

TSTB16 - □□□□□ □□
 (Products No.) (O/F)

Products No.	O/F	O/D	Terminal Type	Guide Boss	Drawing No
CJOA	□□	Vertical	J-bent	With-out	1
CFOA	□□	Vertical	Flat	With-out	2

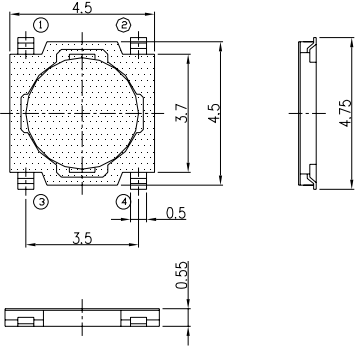
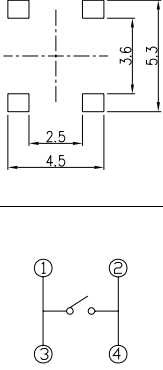
Operating Force □□	160±40gf	16	250±60gf	25
--------------------	----------	-----------	----------	-----------

T
S
T

■ Dimensions

TSTB16-□□□□□ □□

T
S
T

No.	3D Style	Dimension Type (Unit : mm)	PCB pattern dimension Circuit Diagram
1	CJOOA □□		
2	CFOOA □□	