

# TACT switch



## TSTB type

### TSTB05 Series



(size : 3.2×4.2×2.5)

Vertical push Surface mount type

#### ■ Features

Surface mount type tact switch.  
 Reflow solderable.  
 Vertical operating direction.  
 Large stem top surface.  
 Excellence in operability  
 and mountability

#### ■ Applications

Various controls for devices in  
 automotive.  
 Controls for image/sound  
 devices, radio equipment.  
 Operating signal input switches,  
 etc.

#### ■ Main Specifications

Rating	50mA 12V DC
Travel	0.2±0.1mm
Contact Resistance	100mΩ Max
Operating temperature	-20°C~70°C (45%~85% RH)
Bounce	10m sec Max
Operating Force	160±40gf 250±60gf
Operating Life(Cycle)	100,000 50,000

#### ■ Products Line

**TSTB05** - □□□□□ □□  
 (Products No.) (O/F)

Products No.	O/F	O/D	Terminal Type	Guide Boss	Drawing No
<b>CFOOA</b>	□□	Vertical	Flat	With-out	1
<b>CJOOA</b>	□□		J-bent	With-out	2

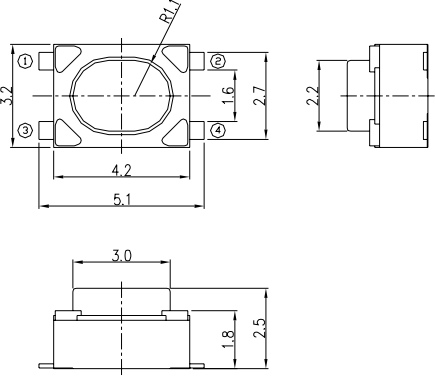
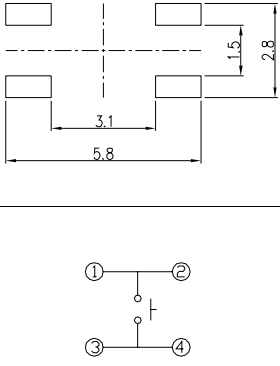
Operating Force □□	160±40gf	<b>16</b>	250±60gf	<b>25</b>
--------------------	----------	-----------	----------	-----------

T  
S  
T

■ Dimensions

TSTB05-□□□□□ □□

T  
S  
T

No.	3D Style	Dimension Type (Unit : mm)	PCB pattern dimension Circuit Diagram
1	CFOOA □□		
2	CJOOA □□	