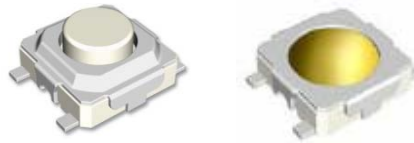


TACT switch



TSTB type

TSTB04 Series



(size : 3.9×3.0×1.8)

Vertical push Surface mount type

■ Features

- Surface mount type tact switch.
- Reflow solderable.
- Vertical operating direction.
- Dust&Moisture protective structure.

■ Applications

- Various controls for devices in automotive.
- Controls for image/sound devices, radio equipment.
- Operating signal input switches, etc.

■ Main Specifications

Rating	50mA 12V DC
Travel	0.2±0.1mm
Contact Resistance	100mΩ Max
Operating temperature	-20°C~70°C (45%~85% RH)
Bounce	10m sec Max
Operating Force	160±40gf 250±60gf
Operating Life(Cycle)	100,000 50,000

■ Products Line

TSTB04 - □□□□□ □□
(Products No.) (O/F)

Products No.	O/F	O/D	Ground Cover	Knob height	Drawing No
CFOOA	□□	Vertical	With-out	With-out	1
CFOWA	□□		With	1.5mm	2
CFOWB	□□		With	With-out	3

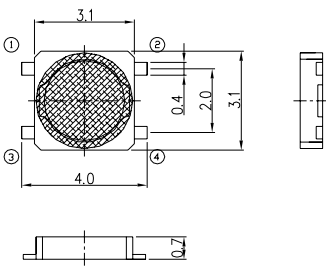
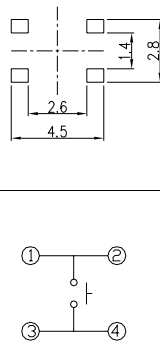
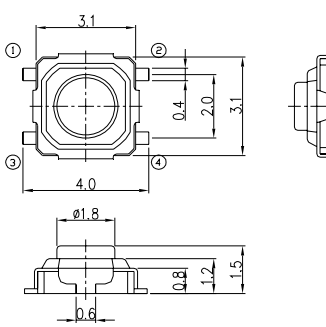
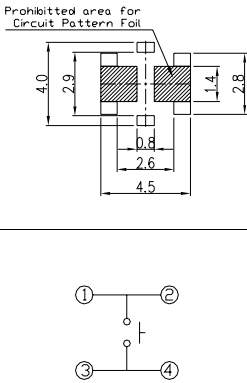
Operating Force □□	160±40gf	16	250±60gf	25
--------------------	----------	-----------	----------	-----------

T
S
T

■ Dimensions

TSTB04-□□□□□ □□

T
S
T

No.	3D Style	Dimension Type (Unit : mm)	PCB pattern dimension Circuit Diagram
1	CFOOA □□		
2	CFOWA □□		
3	CFOWB □□	