



Rocker switch

TSOA type

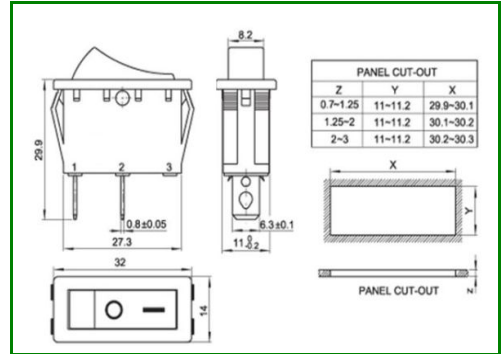
TSOA02 Series



(size : 32.0×14.0×20.5)

Main Specifications

Rating	UL:16A 125VAC KC:6(4)A 250VAC
Contact Resistance	50mΩ OHMS Max
Insulation Resistance	DC 500V 100MΩ OHMS Min
Withstand Voltage	AC 1500V 1 MINUTE
Operating temperature	-25°C~125°C (45%~85% RH)
Operating Force	300~800gf
Operating Life(Cycle)	10,000



Products Line

TSOA02 - - - /

(Type) (Function) (Tml Type) (Button Type) (Rating) (Color Cap/Housing)

Type <input type="checkbox"/>	
StANDARD	S
Return	R
2 Direction	A

Terminal Type <input type="checkbox"/>			

Rating <input type="checkbox"/>	
110VAC	A
220VAC	B
12VDC	C
24VDC	D

Function <input type="checkbox"/>	
ON-OFF 3P	A
ON-OFF 2P	B
ON-ON 3P	C
ON-OFF-ON 3P	D

Color Cap/Housing	
Black	B
White	W
Red	R
Grey	G

Button Type <input type="checkbox"/>	
ON-OFF	A
OFF-ON	B
	C
	D
	E
	F

T
S
O