

# MICRO switch



## TSMA type

## TSMA03 Series



(size : 12.8×5.8×10.0) Snap Action Type (Spring Plate Type)

### ■ Features

Superminiature Micro Snap action switch.  
Several kinds of Lever,  
Long life cycles.

### ■ Applications

Communications and Electronic apparatus.  
Gas Ovenrange of household appliances.  
Car seat-belt, Computer Mouse  
Operating signal input switch, etc.

T  
S  
M

### ■ Main Specifications

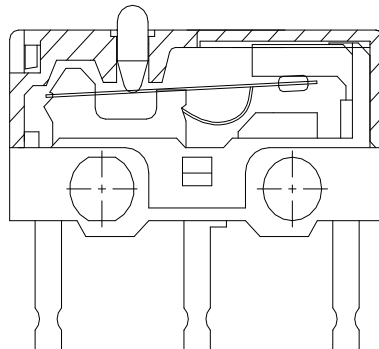
Rating	3A 125V AC, 0.3A 30V DC	
Contact Resistance	50mΩ Max	
Operating temperature	-20°C~70°C (45%~85% RH)	
Operating Force	100gf Max: (Without Lever)	
Operating Life(Cycle)	PAS00	HAS00
	500,000	500,000

### ■ Products Line

TSMA03 - □□□□□  
(Products No.)

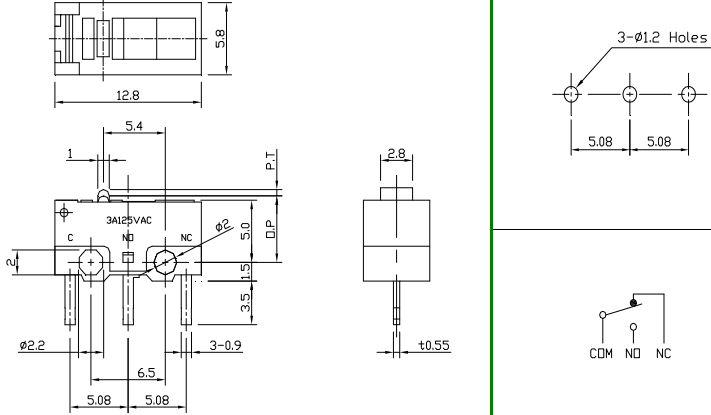
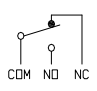
Products No.	Terminal Type	O. F (g. f)	O. P (mm)	F. P (mm)	Drawing No
PAS00	PCB type	100gf Max.	5.5±0.3	6MAX.	1
HAS00	Harness type				2

### Inner Construction



■ Dimensions

TSMA03-□□□□□

No.	3D Style	Dimension Type (Unit : mm) & PCB pattern dimension	
1	PAS00		
			
2	HAS00	