

MICRO switch



TSMA type

TSMA02 Series



(size : 12.8×5.8×10.0) Snap Action Type (Hinge Type)

■ Features

Superminiature Micro Snap action switch.
 Various Terminal, Lever, Inner structure types.
 Long life cycles.

■ Applications

Communications and Electronic apparatus.
 Testing, Office equipment
 Car seat-belt, Computer mouse.
 Operating signal input switch, etc.

T
S
M

■ Main Specifications

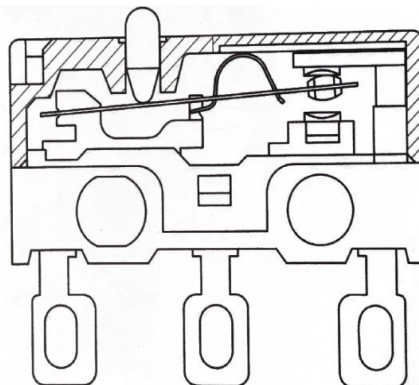
Rating	3A 125V AC, 0.5A 30V DC
Contact Resistance	100mΩ Max
Operating temperature	-20°C~70°C (45%~85% RH)
Operating Force	150gf Max: (Without Lever)
Operating Life(Cycle)	200,000

■ Products Line

TSMA02 - □□□□□
 (Products No.)

Products No.	Operating Type	Terminal Type	Terminal Thickness	Drawing No
PASWO	Hinge Type	PCB type	0.4	1
HASWO		Harness type		2

Inner Construction



■ Dimensions

TSMA02-□□□□□

No.	3D Style	Dimension Type (Unit : mm) & PCB pattern dimension																	
1	PASWO																		
2	HASWO																		
<p>Lever Type</p> <div style="display: flex; justify-content: space-around; align-items: flex-end;"> <div style="text-align: center;"> <p>R Lever</p> </div> <div style="text-align: center;"> <p>L Lever</p> </div> <div style="text-align: center;"> <p>A Lever</p> </div> </div> <table border="1" style="width: 100%; margin-top: 10px;"> <thead> <tr> <th></th> <th>PAASW/HAAWO</th> <th>PABSW/HABWO</th> <th>PACSW/HACWO</th> </tr> </thead> <tbody> <tr> <td>O. F (g. f)</td> <td>70gf MAX.</td> <td>70gf MAX.</td> <td>70gf MAX.</td> </tr> <tr> <td>O. P (mm)</td> <td>6.8 ± 0.8</td> <td>7.8 ± 0.8 / -0.3</td> <td>7.8 ± 0.8</td> </tr> <tr> <td>F. P (mm)</td> <td>10MAX.</td> <td>10MAX.</td> <td>10MAX.</td> </tr> </tbody> </table>					PAASW/HAAWO	PABSW/HABWO	PACSW/HACWO	O. F (g. f)	70gf MAX.	70gf MAX.	70gf MAX.	O. P (mm)	6.8 ± 0.8	7.8 ± 0.8 / -0.3	7.8 ± 0.8	F. P (mm)	10MAX.	10MAX.	10MAX.
	PAASW/HAAWO	PABSW/HABWO	PACSW/HACWO																
O. F (g. f)	70gf MAX.	70gf MAX.	70gf MAX.																
O. P (mm)	6.8 ± 0.8	7.8 ± 0.8 / -0.3	7.8 ± 0.8																
F. P (mm)	10MAX.	10MAX.	10MAX.																